

NWD005

STAINLESS STEEL MEDICINE TROLLEY



NWD005

FEATURES AND HIGHLIGHTS

Technical parameters

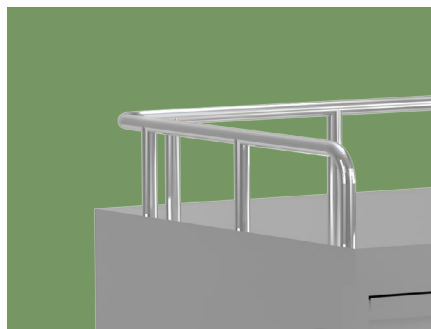
- Size

660*440*860±10mm



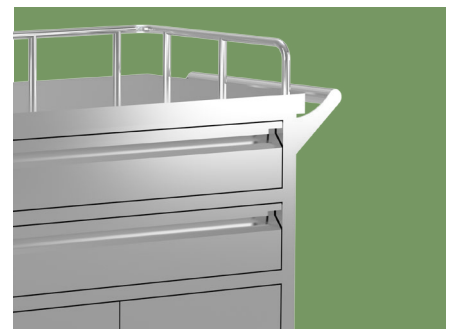
Design

Large capacity, safety and durability, with multi-function



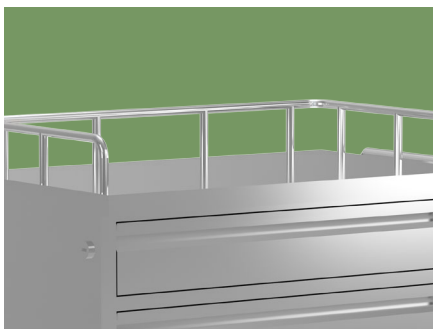
Material

High quality stainless steel, anti-corrosion anti-rust and smooth



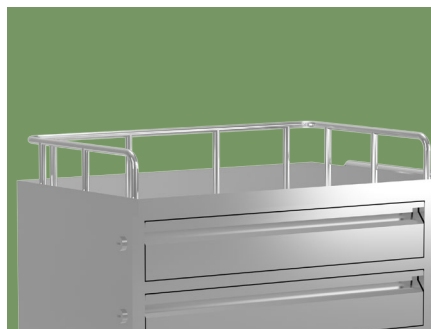
Welding technology

High quality weld to make surface smooth



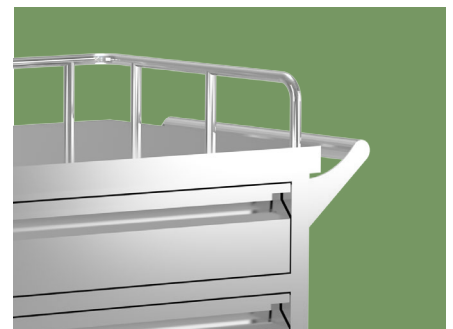
Guardrail

Widen area of the tabletop to place more instruments, thickened plate, thickness of 0.79mm, high load-bearing capacity



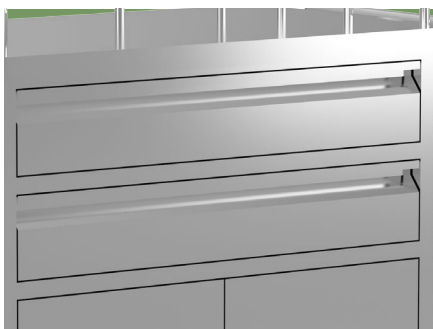
Guardrail

Three sides of the high guardrail can effectively prevent slipping



Handrail

Ergonomic, easy to push and pull



Drawer

Two-layer drawer to provide larger capacity, convenient for classification and storage of items, using silent guide, making pull smooth.



Cabinet

Conducive to the storage and the protection of privacy.



Castors

Four 3-inch swivel silent castors, 2 with brake, providing flexible movement



NUMBER WIN

MEDICAL TECHNOLOGY

As the circumstance of printing, the photos might have minor difference on color, tactile from real products.
As the update of design and improvement, parameters and outlook of products might change, thanks for understanding.



7x24

Online 24 Hours for Sales Service
Timely Response for Clients' Problems

+86 18021231901

Suzhou Number Win Medical Technology Co.,Ltd.

No. 35, Lehong Road · Zhangjiagang (Jiangsu) · China

export@number-win.com

www.number-win.com



Company video



General catalogue