

NWE302

PATIENT LIFT



NWE302

FEATURES AND HIGHLIGHTS

Technical parameters

▪ Over size(L×W×H)	58×70×93-113cm
▪ Lifting height range	200mm±20mm
▪ Sitting Height	45-65cm
▪ Sitting surface size	37×42cm
▪ Passing width	≥58cm
▪ Maximum load capacity	120kg
▪ Package size(L×W×H)	63×89×80cm
▪ G.W.	35kg

Technical configuration

<input checked="" type="checkbox"/> Bedpan	1 pc
<input checked="" type="checkbox"/> Foam cushion	1 pc
<input checked="" type="checkbox"/> Seat belt	1 set



Design

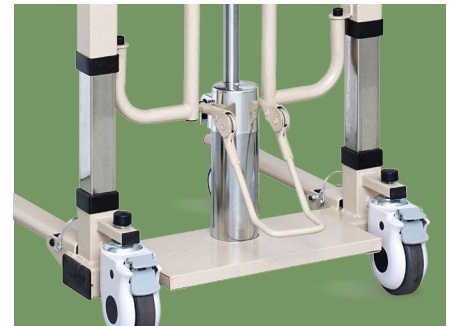
Ergonomic, for multiple purposes, easy to move.



Material

The round tube is made of 2.0mm thick steel tube with paint surface, easy to clean, corrosion-resistant, strong load-bearing and anti-rust. The square tube is made of spraying carbon steel, high load-bearing capacity, waterproof and rust-proof.

Adopt manual welding, electroplating process, rust-proof and easy to clean.



Hydraulic pump

Stainless steel hydraulic pump, with height adjustment, lifting telescopic rod, solid steel rod, easy to adjust the height, solid and durable. Lifting speed 3-9mm/s.



Backrest

Blow molded backrest, soft and comfortable. With stable double safety belt buckle. Grip integrated in the back-rest, which is convenient for patients to grasp.



Armrest

Helping users to grip and lift more convenient. Foldable, convenient for patients to move.



Seat surface

Enlarged ABS seating surface, more stable, the maximum load bearing can be up to 120kg. With 180° open angle, mobile and flexible, easy to operate. With mechanical lock, more secure.



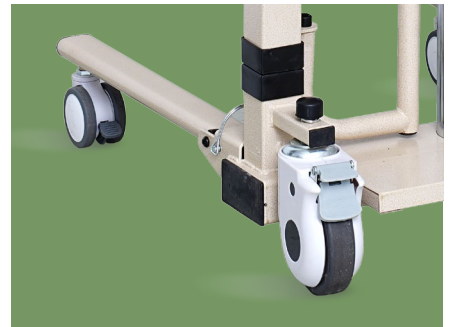
Cushion

High-density foam cushion, removable and easy to clean.



Foot pedal

Anti-slip fixed foot pedal, providing a sense of safety for patients



Castor

Front 5" directional wheels with brakes Rear universal wheels. Flexible steering, smooth pushing and pulling.



Bedpan

Equipped with a disassemble bedpan, easy to use and clean.





NUMBER WIN

MEDICAL TECHNOLOGY



7x24

Online 24 Hours for Sales Service
Timely Response for Clients' Problems

+86 18021231901

Suzhou Number Win Medical Technology Co.,Ltd.

No. 35, Lehong Road · Zhangjiagang (Jiangsu) · China

export@number-win.com

www.number-win.com

As the circumstance of printing, the photos might have minor difference on color, tactile from real products.
As the update of design and improvement, parameters and outlook of products might change, thanks for understanding.



Company video



General catalogue